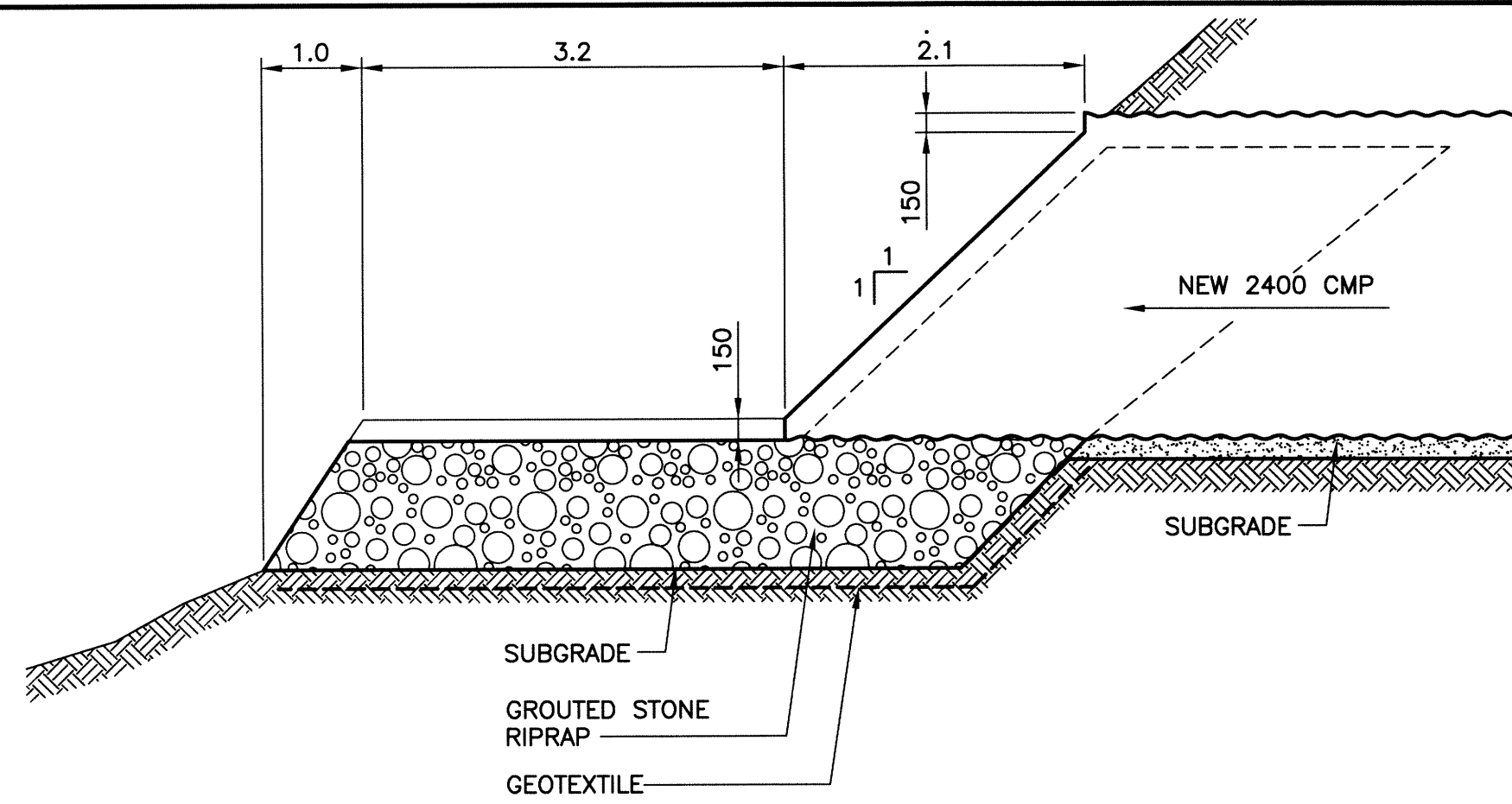
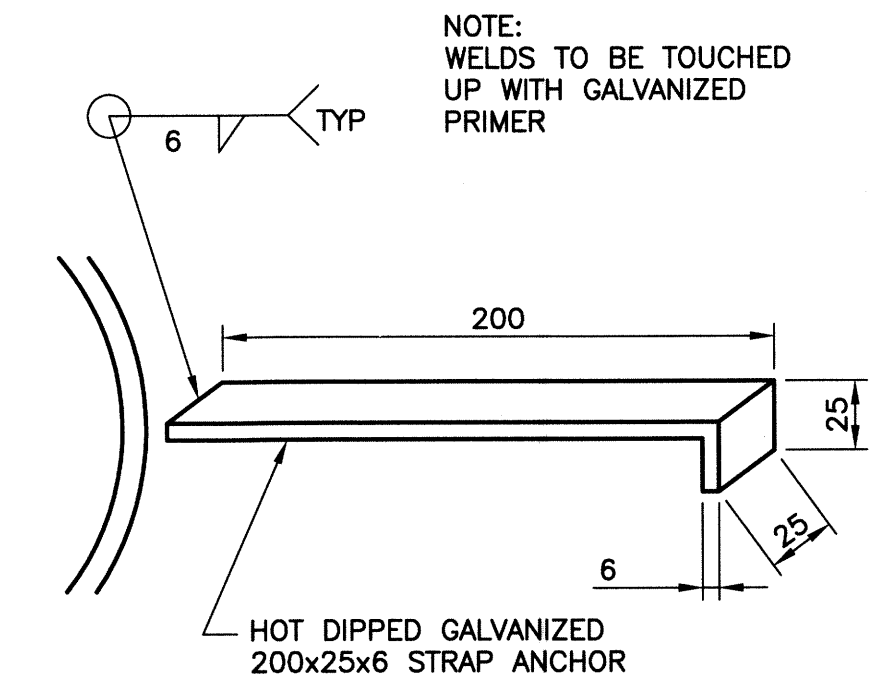


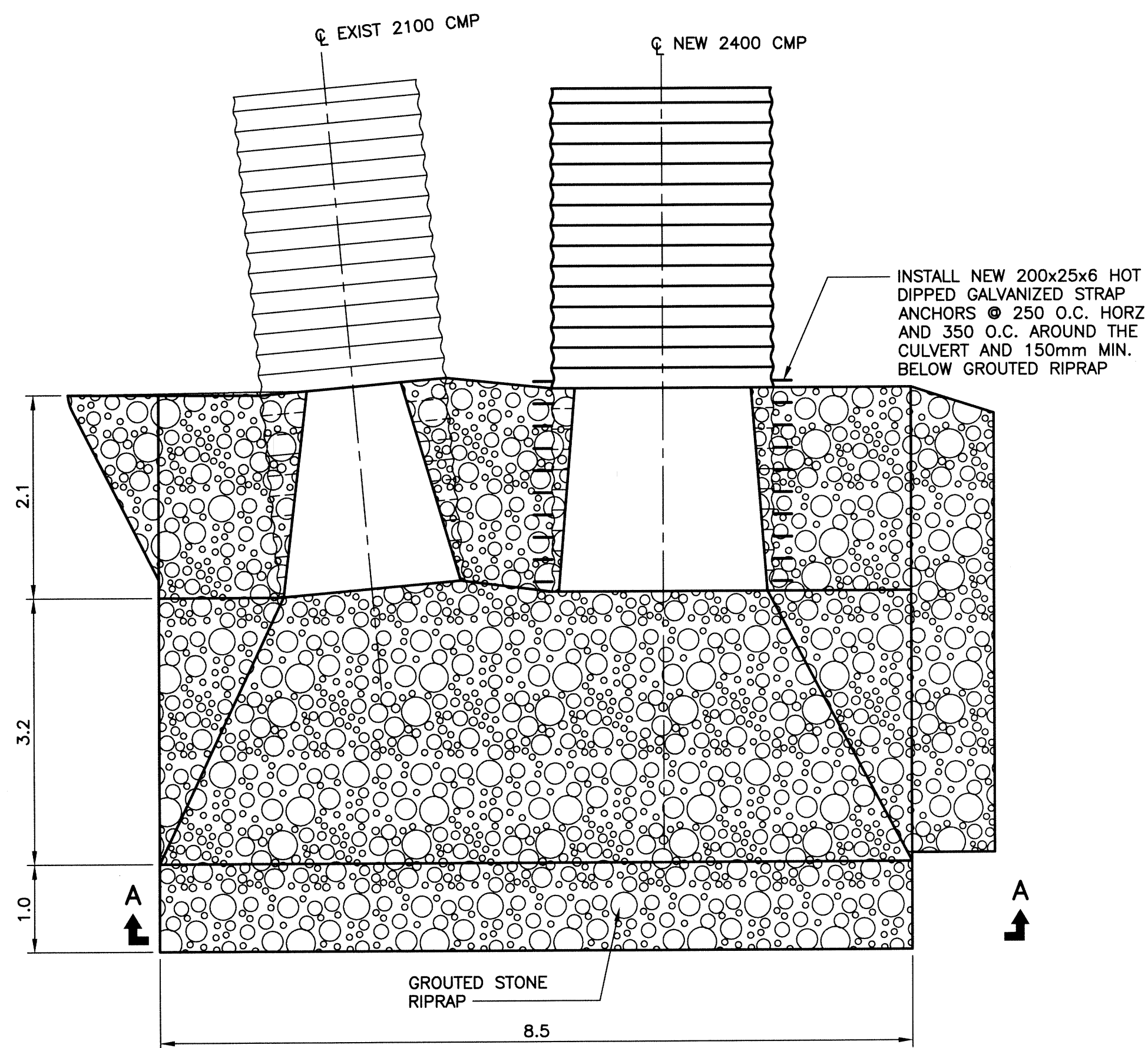
SECTION A-A
SCALE: NTS



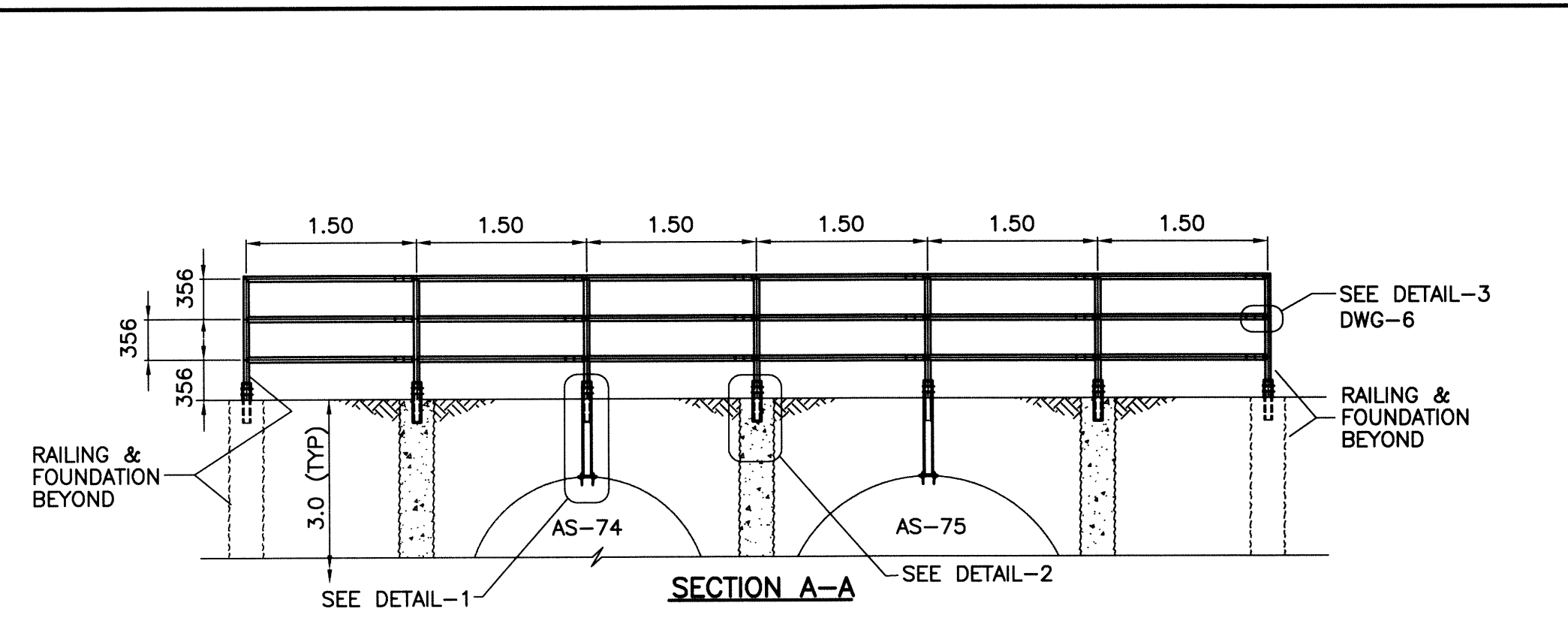
SECTION B-B
SCALE: NTS



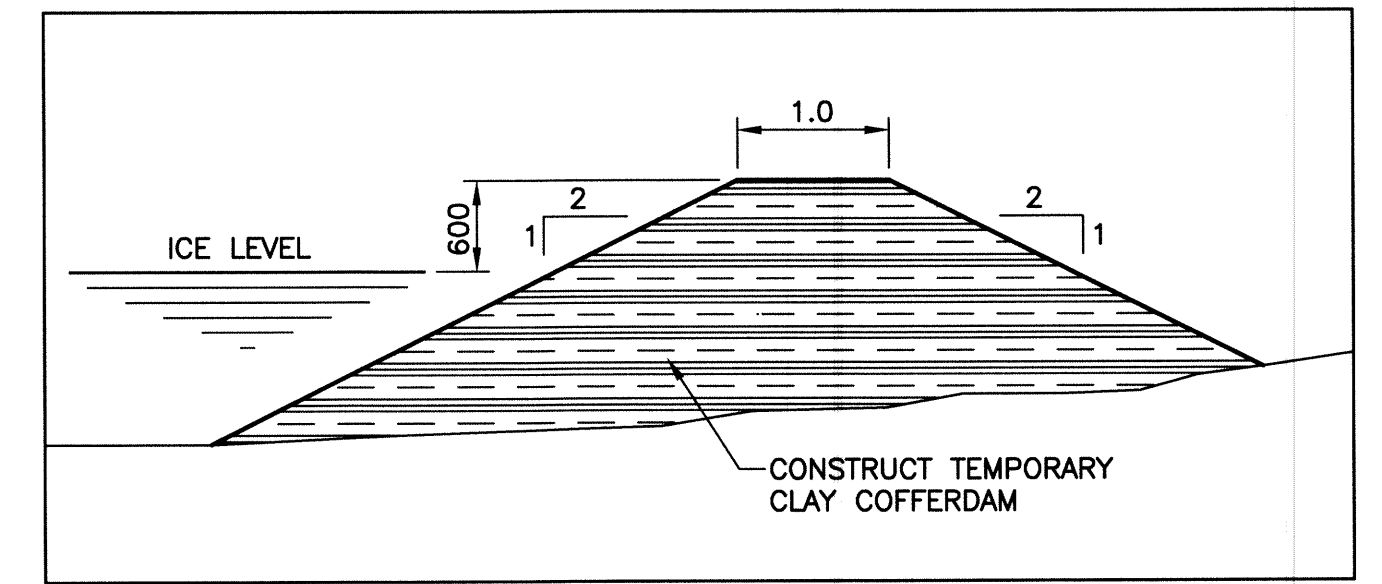
STRAP ANCHOR DETAIL
SCALE: NTS



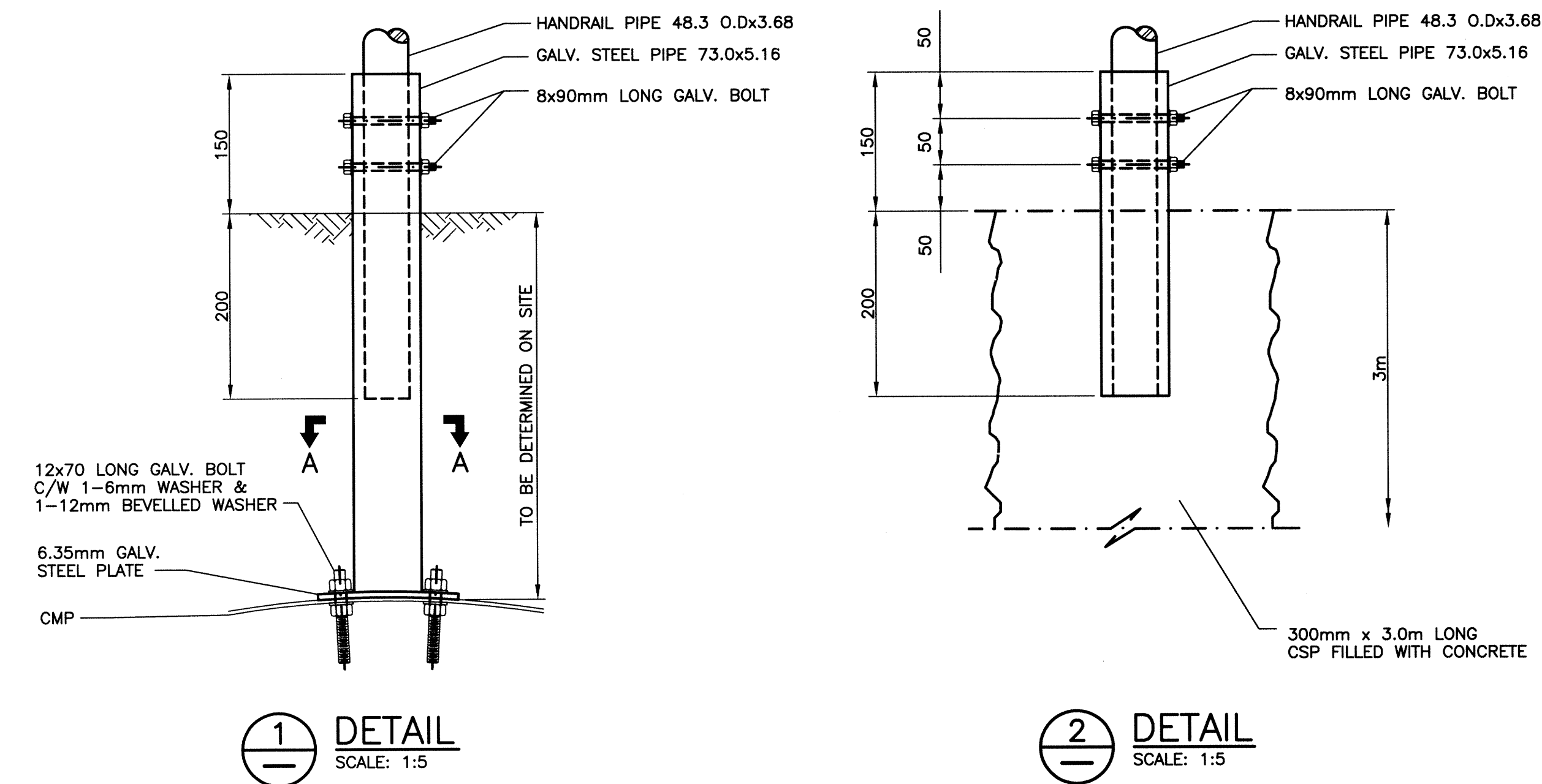
PLAN-OUTFALL RIPRAP
SCALE: NTS



SAFETY RAILING ELEVATION
SCALE: NTS



COFFER DAM DETAIL
SCALE: NTS



DETAIL 1
SCALE: 1:5

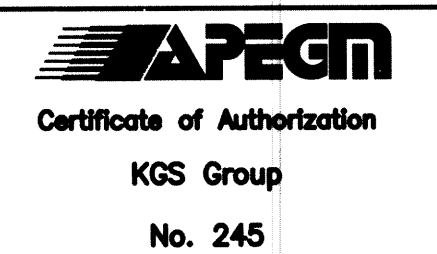
DETAIL 2
SCALE: 1:5

PROPERTY LIMITS DELINEATION

DELINEATION OF PROPERTY LIMITS AS SHOWN ON THIS DWG DOES NOT REPRESENT A "LEGAL SURVEY". KGS GROUP MAKES NO REPRESENTATION OR WARRANTY AS TO THE ACCURACY OF PROPERTY LIMITS DELINEATED ON THIS DWG, NOR ON THE DIMENSIONAL ACCURACY OF DWG FEATURES RELATIVE TO THOSE PROPERTY LIMITS.

METRIC

WHOLE NUMBERS INDICATE MILLIMETRES
DECIMALIZED NUMBERS INDICATE METRES



300 LBS	LAND DRAINAGE SEWER	300 LBS							
250 WWS	WASTE WATER SEWER	250 WWS		TEST HOLE					
	GAS			GUY WIRE					
	HYDRO			LIGHT STANDARD					
	M.T.S.			BACK OF CURB					
150 WM	WATERMAIN	150 WM		CONCRETE					
	HYDRANT			ASPHALT					
	VALVE			SIDEWALK					
	MANHOLE			PROPERTY LINE					
	CATCH BASIN			SURVEY BAR					
	CURB INLET			GEODETIC BENCHMARK					
	POLES			ELEVATION					
EXISTING	LEGEND-PLAN	PROPOSED	EXISTING	LEGEND-PLAN	PROPOSED	EXISTING	LEGEND-PROFILE	PROPOSED	

LOCATION APPROVED UNDERGROUND STRUCTURES

SUPV. U/G STRUCTURES DATE COMMITTEE

NOTE:
LOCATION OF UNDERGROUND STRUCTURES AS SHOWN ARE BASED ON THE BEST INFORMATION AVAILABLE. BUT NO GUARANTEE IS GIVEN THAT ALL EXISTING UTILITIES ARE SHOWN OR THAT THE GIVEN LOCATIONS ARE EXACT. CONFIRMATION OF EXISTENCE AND EXACT LOCATION OF ALL SERVICES MUST BE OBTAINED FROM THE INDIVIDUAL UTILITIES BEFORE PROCEEDING WITH CONSTRUCTION.

B.M. KGS BASE ELEV. - DWGS BASED ON C.S.R.S. NAD 83 SYSTEM, UTM GRID

0	ISSUED FOR TENDER	12/11/30	RBO
NO. REVISIONS	DATE	BY	DATE

		DESIGNED BY RBO	CHECKED BY RJH
		DRAWN BY DMW	APPROVED BY
HOR. SCALE: 1:250		RELEASED FOR CONSTRUCTION:	
VERTICAL: 1:50		DATE	

ENGINEER'S SEAL

 CONSULTANT DRAWING NO. 12-0107-013

THE CITY OF WINNIPEG WATER AND WASTE DEPARTMENT
 PROJECT TITLE: 2012 OUTFALL RENEWAL/REHABILITATION PROGRAM
 CLIFTON STREET OUTFALL (AS_75) DETAILS
 SHEET 04 OF 09
 COMPUTER FILE NAME: 12-0107-013
 CITY DRAWING NUMBER: LD-6949